



Alta Qualita

**Range Hood Instruction Manual
MODEL:FRHWM5010-30**



IMPORTANT

Read and save these instructions

NOTICE

Installer: Leave this guide with the homeowner

Homeowner: Keep this guide for future reference

Customer Care

Thank you for purchasing a FORNO product. Please read the entire instruction manual before operating your new appliance for the first time. Whether you are an occasional user or an expert, it will be beneficial to familiarize yourself with the safety practices, features, operation and care recommendations of your appliance.

Both the model and serial number are listed inside the product. For warranty purposes, you will also need the date of purchase. Record this information below for future reference.

SERVICE INFORMATION

Model Number:

Use these numbers in any correspondence or service calls concerning your appliance.

Serial Number:

If you received a damaged appliance, immediately contact the dealer (or builder) that sold you the appliance

Date of Purchase:

Purchase Address & Phone:

Save time and money. Before you call for service, check the Troubleshooting Guide. It lists the causes of minor operating problems that you can correct yourself.

SERVICE IN THE UNITED STATES AND CANADA

Keep the instruction manual handy to answer your questions. If you don't understand something or you need more assistance, please call our Customer Service: 1-866-231-8893 opt. 2 ext. 214

Or email: mysupport@forno.ca

Digital instruction manual can be downloaded from www.forno.ca

If your appliance ever requires servicing, be sure to use a FORNO Factory Certified Service provider recommended by our customer care center. All Factory Certified Service providers are carefully selected and thoroughly trained by us.

Dear Customer,

If you follow the recommendations contained in this Instruction Manual, our appliance will give you constant high performance and will remain efficient for many years to come.

We declines all responsibility in the event of failure to observe the instructions given here for installation, maintenance and suitable use of the product.

We further declines all responsibility for injury due to negligence and the warranty of the unit automatically expires due to improper maintenance.

CONTENTS

RECOMMENDATIONS AND SUGGESTIONS

CHARACTERISTICS

INSTALLATION & USE

MAINTENANCE & CLEANING

Product Specification & Technical Parameters

Body	Stainless Steel
Power rating	110-120V/60Hz
Motor Power	190W
Speed Control	3 Speeds
Max Air Volume	450 CFM
Noise level(dB/Sone)	Approx.25/0.4 to 65/6.0 (lowest to highest speed)
Motor type	Sealed double side aluminum motor
Control type	Electric switch
Illumination	GU10 type

RECOMMENDATIONS AND SUGGESTIONS

CAUTION



TO REDUCE THE RISK OF FIRE, ELECTRIC SHOCK OR INJURE TO PERSONS, PLEASE OBSERVE THE FOLLOWINGS:

1. Installation work and electric wiring (including switch location) must be done by the qualified person(s) in accordance with local applicable codes and standards, including fire-rated construction.
2. The hood may have sharp edges. Be careful when handling to avoid cuts and abrasions during installation and cleaning.
3. The hood must be placed at a minimum distance of 25" from the electric cooktop and 30" from gas cooktop.
4. Provide sufficient ventilation for proper combustion and exhausting of gases through the chimney to prevent backdrafting. Follow the equipment manufacturer's guideline and safety standards such as those published by the National Fire Protection Association, and the American Society for Heating, Refrigeration and Air Conditioning Engineer (ASHRAE), and the local code authorities.
5. Hood must always be vented to the outdoors.
6. Do not vent exhaust air into spaces within walls or ceilings or into attics, crawl spaces, or garages.
7. This appliance is design to be operated by adults. Children were not allowed to temper with the controls or play with this appliance.
8. To reduce the risk of fire or electric shock, do not use this fan with any solid-state speed control device.
9. When cutting or drilling into wall or ceiling, do not damage electrical wiring and other hidden utilities.
10. Before servicing or cleaning the hood, switch power off at service panel and lock the service disconnecting means to prevent power from being switched on accidentally. When the service disconnecting means cannot be locked, securely fasten a prominent warning device, such as a tag, to the service panel.

TO REDUCE THE RISK OF A RANGE TOP GREASE FIRE:

1. Never leave surface units unattended at high settings. Boilovers cause smoking and greasy spillovers that may ignite. Heat oils slowly on low or medium settings.
2. Always turn hood ON when cooking at high heat or when flambeing food (i.e. Crepes Suzette, Cherries Jubilee, Peppercorn Beef Flambe).
3. Clean hood frequently. Grease should not be allowed to accumulate on fan or filter.
4. Use proper pan size. Always use cookware appropriate for the size of the surface element.

CHARACTERISTICS

WALL MOUNT Range Hood is designed for designer's kitchen with the range hood install directly above cooking appliances against a wall. This hood is a highlight and show piece in your kitchen and at the same time provide you with the benefit of extracting the grease and smoke from your cooking.

Please refer to the instruction below

INSTALLATION & USE

NOTE: remove protective film (if any) from the exterior surfaces of the hood carefully prior to final installation.

DESCRIPTION / CONNECTION

This range hood should be mounted directly to the support frame mounting, where the support frame flue shall secure to the ceiling joist or framework.

- Ductwork can be installed vertically or horizontally.
- Duct runs should be as short as possible.
- Avoid the use of elbows.
- Use duct tape at all joints.
- Do not use duct smaller than the discharge on the hood.

LOCATION PREPARATION

The installation in this manual is intended for qualified installers, service technicians or persons with similar qualified background. DO NOT attempt to install this appliance yourself. Injury could result from installing the unit due to lack of appropriate electrical and technical background.

All electrical wiring must be properly installed, insulated and grounded. Overly accumulated grease in old duct work should be cleaned out or duct work should be replaced if necessary to avoid the possibility of a grease fire. Check all joints on duct work to insure proper connection and all joints should be properly taped.

Note 1 :On stainless steel hoods, carefully remove the plastic protective film from all exterior surfaces of the hood and chimney prior to final installation.

Note 2 : At least two people will be required to mount the hood.

MOUNT HEIGHTS & CLEARANCE

Minimum mount height between range top to hood bottom should be no less than 25"

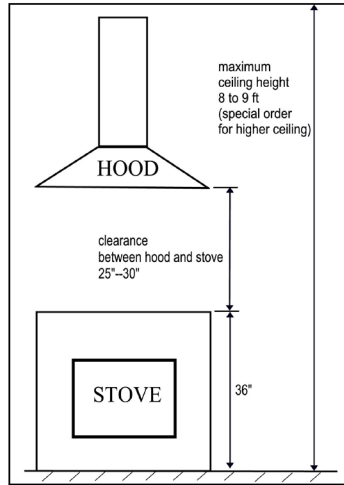
Maximum mount height should be no higher than 30"

It is important to install the hood at the proper mounting height. Hoods mounted too low could result in heat damage and fire hazard; while hoods mounted too high will be hard to reach and will lose its performance and efficiency.

If available, also refer range manufacturer's height clearance requirements and recommended hood mounting height above range.

* Maximum ceiling clearance 106.5" at 27.5" hood mounting height from stove (different models may vary)

** For higher ceiling, extension of the chimney and the decorative cover is available to purchase, if require.



Ducting (not provided)

NEVER exhaust air or terminate duct work into spaces between walls, crawl spaces, ceiling, attics or garages.

All exhaust must be ducted to the outside.

Use Metal ductwork only.

Fasten all connections with sheet metal screws and tape all joints w/ certified Silver Tape or Duct Tape.

Duct Run Calculation:

Maximum run 6" or 3-1/4 x 10" duct	100FT
Deduct:	
each 90 Elbow used	15FT
each 45 Elbow used	9FT
each 6" to 3-1/4 x 10"	1FT
transition used	
each 3-1/4 x 10" to 6"	5FT
transition used	
Side Wall Cap w/ damper	30FT
Roof Cap	30FT

e.g. – 1 roof cap, 2x90 elbows, 1x45 elbow

= 30' + 30' + 9'=69' used,

31' available for straight duct runs

DUCT SIZE

A minimum of 6" round duct must be used to maintain maximum airflow efficiency.

Flexible ducts are provided for convenience, always use rigid type metal ducts if available to maximizing airflow.

Also use calculation (on left) to compute total available duct run when using elbows, transitions and caps.

ALWAYS, when possible, reduce the number or transitions and turns. If required a long duct increase duct size from 6" to 7 or 8".

If a reducer is used, install a long reducer instead of pancake reducer. Reduce duct size as far away from opening as possible.

If turns or transitions are required: Install as far away from opening and as far apart, between 2, as possible.

MOUNTING THE RANGE HOOD

Note 1 : On stainless steel hoods, carefully remove the plastic protective film from all exterior surfaces of the hood and chimney prior to final installation.

Note 2: At least two people will be required to mount the hood.

WALL DRILLING AND BRACKETS FIXING

1. Draw a vertical line on the supporting wall up to the ceiling, or as high as practical, at the centre of the area in which the hood will be installed.
2. Draw a horizontal line at desired height (min 25" above the electric hob or 30" above the gas hob).
3. Place chimney mounting brackets on the wall 1/8" from the ceiling or upper limit aligning the centre with the vertical reference line.
4. Mark the wall at the centre of the holes in the bracket.
5. Place the hood on the wall with the center to the vertical reference line and make sure the bottom part of the hood align with the horizontal line.
6. Mark the wall at the centre of the holes in the hood
7. Fix the bracket and hood using the mounting screws

MOUNTING THE HOOD BODY

1. Hook the body onto the screws in the wall
2. Balance the hood body by slightly adjusting the hood mounting screws

DAMPER (FLAPS) FIXING

1. Fix the damper (flaps) into the air outlet adapter.
2. To be sure that the damper (flaps) is locked well on the air outlet adapter, it should be flexible in opening and closing.

DUCT FIXING

Caution: To reduce the risk of fire, use metal ductwork only.

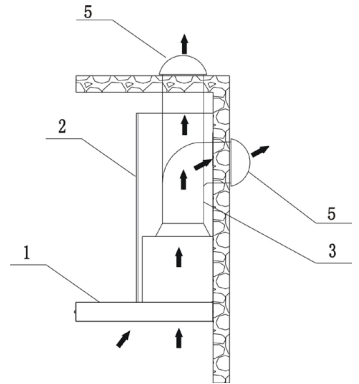
1. Attach an adequate length of ϕ 6" round duct into the recessed area of the air outlet adapter.
2. Secure the duct connected with the air outlet adapter by using duct tape to seal the joints

CONNECTIONS

Ducted mode air exhaust system

Caution: To reduce the risk of fire, use metal ductwork is preferred.

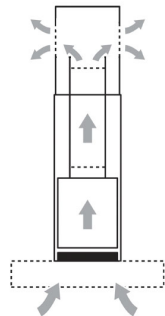
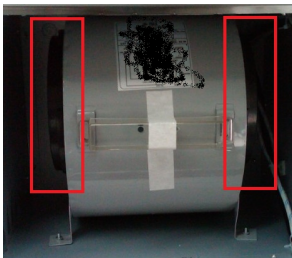
1. Decide where the ductwork will run between the hood and the outside.
2. A straight, short duct run will allow the hood to perform most efficiently.
3. Long duct runs, elbows, and transitions will reduce the performance of the hood. Use as few of them as possible. Larger ducting may be required for best performance with longer duct runs.
4. Attach an adequate length of ϕ 6" round duct to the air outlet adapter.
5. The air must not be discharge into a flue that is used for exhausting fumes from appliances burning gas or other fuels" "Regulations concerning the discharge of air have to be fulfilled.
6. Install a roof/wall cap. Connect round metal ductwork to cap and work back towards hood location. Use duct tape to seal the joints between ductwork sections.



Recirculation Mode(customer need buy charcoal filter separately)

Caution: Do not use plastic or rigid metal ducting.

1. Install charcoal filter on the two side of motor



2. Please note that the air will flow out from the two grids on the sides of the decorative chimney top.

Electrical Connection

* Electrical wiring must be done by a qualified person(s) in accordance with all applicable codes and standards.

Turn off electrical power at service entrance before wiring.

* If the supply cord is damaged, it must be replaced by the manufacturer, its service agent or similarly qualified persons in order to avoid a hazard.

* Do not use the plug and an extension cord other than the ones initially supplied with the hood.

* The grounding of this hood is compulsory. Do not remove ground prong of the plug.

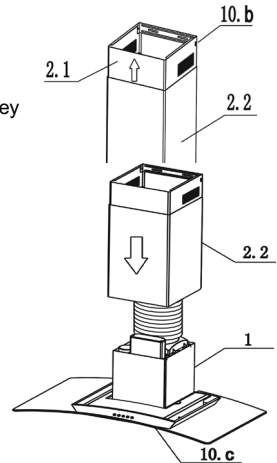
TELESCOPIC CHIMNEY COMPRISING ASSEMBLY

Decorative Chimney Top

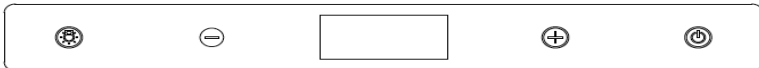
Raise the decorative chimney top 2.1 up inside the decorative chimney bottom 2.2. Secure decorative chimney top 2.1 to the chimney mounting bracket that is well fixed on the wall with the two chimney bracket screws 10.b supplied from two sides.

Decorative Chimney Bottom

Carefully slide the decorative chimney bottom 2.2 down outside the decorative chimney top 2.1. Carefully place the decorative chimney bottom 2.2 into the recessed area of the hood body top.



OPERATIONS



Power button

When range hood is running, press Power button and enter Power-off Delay function, range hood will turn off automatically after 3 minutes



Decrease Speeds



Increase Speeds



Turn on/off the lamp

MAINTENANCE & CLEANING

Surface Maintenance:

Clean periodically with hot soapy water and clean cotton cloth. Do not use corrosive or abrasive detergent (e.g. comet powder scrub, EZ-Off oven cleaner), or steel wool/scoring pads which will scratch and damage surface.

For heavier soil use liquid degreaser such as 'Formula 409' or 'Fantastic' brand cleaner.

After cleaning, you may use non abrasive stainless steel polish/cleaners such as 3M or ZEP, to polish and buff out the stainless luster and grain. Always scrub lightly, with clean cotton cloth, and with the grain

Stainless Steel Hybrid Filters:

The Filters fitted by the factory are intended to filter out residue and grease from cooking. It need not be replaced on a regular basis but are required to be kept clean.

Filters should be cleaned after every 30 hours of use.

Remove and clean by hand in a basin of hot soapy water. The filter is also dishwasher safe.

If heavily soiled, spray 'Formula 409' or equivalent degreasing detergent and leave to soak.

Dry filters and re-install before using hood.

Hood Cleaning

The saturation of greasy residue in the blower and filters may cause increased inflammability. Keep unit clean and free of grease and residue build-up at all times to prevent possible fires.

Filters must be cleaned periodically and free from accumulation of cooking residue (see cleaning instructions inside). Old and worn filters must be replaced immediately. Do not operate blowers when filters are removed. Never disassemble parts to clean without proper instructions. Disassembly is recommended to be performed by qualified personnel only. Call our service center for removal instructions.

Stainless steel is one of the easiest materials to keep clean. Occasional care will help preserve its fine appearance.

Cleaning tips:

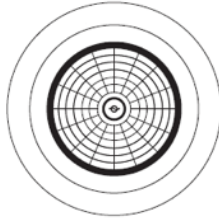
- * Hot water with soap or detergent is all that is usually needed.
- * Rinse with clear water. Wipe dry with a clean, soft cloth to avoid water marks.
- * For discolorations or deposits that persist, use a non-scratching household cleanser or stainless steel polishing powder with a little amount of water and a soft cloth.
- * For stubborn stain, use a plastic scouring pad or soft bristle brush together with cleanser and water. Rub lightly in direction of polishing lines or "grain" of the stainless finish. Avoid using too much pressure that may mar the surface.
- * Do not allow deposits to remain for long periods of time.
- * Do not use ordinary steel wool or steel brushes. Small bits of steel may adhere to the surface causing rust.
- * Do not allow salt solutions, disinfectants, bleaches, or cleaning compounds to remain in contact with stainless steel for extended periods. Many of these compounds contain chemicals that may be

harmful. Rinse with water after exposure and wipe dry with a clean cloth.

* Painted surfaces should be cleaned with warm water and mild detergent only.

LIGHT bulbs

WARNING: Please ensure lights have been switched off for some time and the power source has been disconnected before replacing any globes. Please be aware that the light will retain heat for a short period of time after being switched off.



Step 1: Turn anti-clockwise to open

Step 2: Take the existing globe out

Step 3: Insert a new globe (GU10 Fitting) and turn clockwise in lock position



WARNING: This product can expose you to chemicals including [Lead , Lead and lead compounds], which is [are] known to the State of California to cause cancer and birth defects or other reproductive harm. For more information go to www.P65Warnings.ca.gov.



AVERTISSEMENT: Ce produit peut vous exposer à des agents chimiques, y compris [Plomb , Composés de plomb et de plomb], identifiés par l'État de Californie comme pouvant causer le cancer et des malformations congénitales ou autres effets nocifs sur la reproduction. Pour de plus amples informations, prière de consulter www.P65Warnings.ca.gov.



ADVERTENCIA: Este producto puede exponerle a químicos incluyendo [Plomo , Compuestos de plomo y plomo], que es (son) conocido (s) por el Estado de California como causante (s) de cáncer y defectos de nacimiento u otros daños reproductivos. Para mayor información, visite www.P65Warnings.ca.gov.



FORNO

Alta Qualita

**Hotte de cuisinière
Manuel d'instructions
MODÈLE:FRHWM5010-30**



IMPORTANT

Veuillez lire et converser ces instructions

NOTICE

Installateur: Laissez ce guide au propriétaire

Propriétaire: Conservez ce guide pour consultation ultérieure

SERVICE À LA CLIENTÈLE

Merci d'avoir acheté un produit FORNO. Veuillez lire l'intégralité du manuel d'instructions avant d'utiliser votre nouvel appareil pour la première fois. Que vous soyez un utilisateur temporaire ou un expert, il sera utile de vous familiariser avec les pratiques de sécurité, les caractéristiques, recommandations concernant l'exploitation et l'entretien du matériel.

Les modèles et les numéros de série sont inclus dans le produit. Aux fins de la garantie, vous aurez également besoin de la date d'achat.

Enregistrez ces informations ci-dessous pour référence future.

INFORMATION À FOURNIR POUR TOUTE RÉPARATION

Numéro de modèle:

Utilisez ces numéros pour toute correspondance ou pour tout appels au service des réparations concernant votre appareil.

Numéro de série:

Si vous avez reçu un appareil endommagé, communiquez immédiatement avec le détaillant (ou le fabricant) qui vous a vendu l'appareil

Date d'achat:

Adresse et téléphone d'achat:

Économisez temps et argent. Avant tout appel de réparation, vérifiez le guide de dépannage. Vous y trouverez une liste des causes de problèmes mineurs que vous pouvez réparer vous-même.

POUR UNE RÉPARATION AUX ÉTATS-UNIS ET AU CANADA:

Conservez ce manuel d'instructions à portée de main si vous avez des doutes. Pour plus de précision ou si vous avez besoin d'aide, veuillez communiquer avec notre service à la clientèle au : 1-866-231-8893 opt. 2 ext. 214

Vous pouvez également écrire à : mysupport@forno.ca

Vous pouvez télécharger la version numérique du manuel d'instructions sur le site www.forno.ca

Cher client,

Si vous suivez attentivement les recommandations contenues dans le présent manuel d'instructions, votre appareil vous fournira constamment de hautes performances et restera performant pendant des années.

Le fabricant décline toute responsabilité s'il y a eu omission de respecter les directives fournies pour l'installation, l'entretien et l'usage adéquat du produit.

Le fabricant décline toute responsabilité en cas de blessures résultant de la négligence et la garantie prend fin automatiquement en cas d'entretien inadéquat.

CONTENU

RECOMMANDATIONS ET SUGGESTIONS

CARACTÉRISTIQUES

INSTALLATION ET UTILISATION

ENTRETIEN ET NETTOYAGE

Caractéristiques du produit et paramètres techniques

Cadre	Acier inoxydable
Puissance nominale	110-120 volts / 60 Hz
Puissance du moteur	190 watts
Réglage de la vitesse	3 vitesses
Débit d'air maximum	450 pi ³ /min
Niveau de bruit (dB / sone)	Environ 25/0,4 à 65/6,0 (de la vitesse la plus basse à la vitesse la plus élevée)
Type de moteur	Moteur double-face en aluminium scellé
Type de commutateur	Interrupteur électrique
Éclairage	GU10 type

RECOMMANDATIONS ET SUGGESTIONS

AVERTISSEMENT



POUR ÉVITER LES RISQUES D'INCENDIE, D'ÉLECTROCUTION OU DE BLESSURES, VEUILLEZ OBSERVER LES DIRECTIVES SUIVANTES :

1. L'installation et les travaux relatifs au câblage (y compris la pose de l'interrupteur) doivent être effectués par un technicien qualifié, conformément aux normes et aux codes en vigueur, y compris les travaux de construction classés résistants au feu.
2. Cette hotte peut comporter des arêtes tranchantes. Prenez garde aux coupures et aux éraflures lors de l'installation et du nettoyage.
3. La hotte doit être installée à une distance maximale de 25 po (63 cm) d'une surface de cuisson électrique et à 30 po (76 cm) d'une surface de cuisson au gaz.
4. Assurez-vous que l'aération est suffisante pour permettre la combustion et l'évacuation des gaz des appareils de combustion par la cheminée pour prévenir le refoulement d'air. Veuillez suivre les consignes du fabricant et respecter les normes de sécurité comme celles établies par l'Association nationale de protection incendie (NFPA), l'Association américaine des ingénieurs de systèmes de chauffage, de réfrigération et d'air conditionné (ASHRAE) et les codes d'autorités locales.
5. L'air doit toujours être expulsé vers l'extérieur.
6. Ne dirigez jamais l'air dans les murs, le plafond, le grenier, le vide sanitaire ou le garage.
7. Cet appareil est conçu pour être utilisé par des adultes. Les jeunes enfants ne doivent pas être autorisés à manipuler l'appareil ou jouer avec les commandes.
8. Afin de réduire les risques d'incendie ou d'électrocution, ne pas utiliser cette hotte avec une commande de vitesse à semi-conducteur.
9. Assurez-vous de ne pas endommager les fils électriques ou d'autres équipements cachés lorsque vous percez des trous dans le mur ou le plafond.
10. Avant de réparer ou de nettoyer l'appareil, coupez l'alimentation électrique à partir du panneau de service et bloquez les dispositifs de sectionnement pour éviter toute remise en marche accidentelle. Si les dispositifs de sectionnement ne peuvent pas être bloqués, fixez une étiquette d'avertissement au panneau de service.

POUR RÉDUIRE LES RISQUES DE FEU DE FRITURE SUR LA SURFACE DE CUISSON :

1. Ne laissez jamais la surface de cuisson sans surveillance lorsque les brûleurs sont réglés à des températures élevées. Les débordements causent de la fumée et les résidus gras peuvent s'enflammer. Faites chauffer les huiles graduellement à feu doux ou moyen.
2. Mettez toujours la hotte en marche lorsque vous cuisinez à température élevée ou lorsque vous faites flamber des aliments. (P.ex. des crêpes Suzette, des cerises jubilé, un steak au poivre).

3. Nettoyez régulièrement la hotte. Ne laissez pas la graisse s'accumuler sur le ventilateur ou le filtre.
4. Utiliser des chaudrons de grandeur appropriée. Utilisez toujours des casseroles, dont la taille correspondant à celle de l'élément de cuisson.

CARACTÉRISTIQUES

La hotte de cuisine pour MONTAGE MURAL est conçue pour être installée directement sur un mur au-dessus des appareils de cuisson. En plus de rehausser et de décorer votre cuisine, cet appareil aspire la graisse et les fumées de cuisson.

Veillez vous référer aux instructions ci-dessous.

INSTALLATION ET UTILISATION

REMARQUE : Retirer soigneusement le film protecteur (s'il y a lieu) des surfaces externes de la hotte avant l'installation finale.

DESCRIPTION / BRANCHEMENT

Cette hotte de cuisine doit être montée directement sur le châssis du cadre porteur et le conduit de fumée doit être fixé à la solive de plafond ou au cadre.

- Le conduit d'air peut être installé à la verticale ou à l'horizontale.
- Les conduits doivent être les plus courts possible.
- Éviter les coudes.
- Utiliser du ruban à conduits pour sceller les joints.
- Ne pas utiliser de conduits d'une taille inférieure au tuyau de refolement de la hotte.

PRÉPARATION DE L'EMPLACEMENT

Les directives de ce guide sont rédigées à l'intention d'installateurs qualifiés, de techniciens de service ou d'individus ayant des compétences similaires. N'ESSAYEZ PAS d'installer cet appareil vous-même. L'installation de cet appareil sans détenir les compétences techniques nécessaires pourrait entraîner des blessures.

Tous les fils électriques doivent être correctement installés, isolés et mis à la terre. Les conduits d'air existants doivent être nettoyés de toute accumulation de graisse ou remplacés si nécessaire afin d'éliminer tout risque de feu de friture.

Tous les joints des conduits doivent être vérifiés et bien scellés pour assurer une bonne connexion.

Remarque 1 : Pour les hottes en acier inoxydable, retirer soigneusement le film protecteur en plastique de toutes les surfaces externes de la hotte et de la cheminée avant l'installation finale.

Remarque 2 : Il faut deux personnes pour installer cette hotte.

HAUTEUR DE MONTAGE ET DÉGAGEMENT

La hauteur de montage minimale entre le dessus de la surface de cuisson et le dessous de la hotte ne devrait pas être inférieure à 25 po (63 cm).

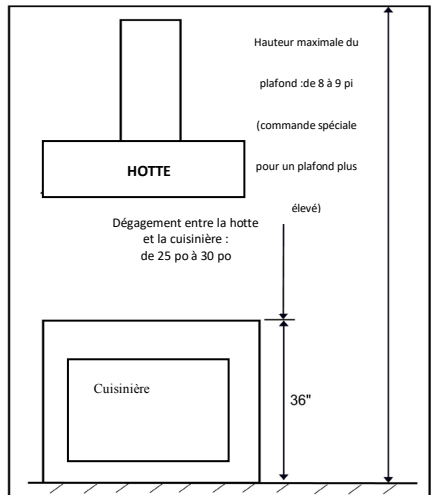
La hauteur de montage maximale ne devrait pas être supérieure à 30 po (76 cm).

Il est très important d'installer la hotte selon la hauteur de montage conseillée. Un montage trop bas peut causer des dommages dus à la chaleur ou des risques d'incendie. Un montage trop haut peut rendre l'accès à la hotte difficile et diminue son efficacité et son rendement.

Au besoin, consulter les exigences du fabricant concernant le dégagement de hauteur et la hauteur de montage recommandée au-dessus de la surface de cuisson. .

* Dégagement de hauteur maximale de 106,5 po (270 cm) du plafond à 27,5 po (69 cm) de la hauteur de montage de la hotte au-dessus de la cuisinière (la hauteur varie selon les modèles).

** Pour les plafonds plus élevés, Il est possible de se procurer une rallonge de cheminée et de couvercle décoratif.



Conduits (non inclus)

NE JAMAIS TERMINER LES CONDUITS D'ÉVACUATION ET NE JAMAIS DIRIGER l'air dans les murs, le plafond, le grenier, le vide sanitaire ou le garage.

L'air doit toujours être dirigé vers l'extérieur.

Utiliser uniquement un conduit en métal.

Fixer toutes les connexions et tous les branchements à l'aide de vis de métal et sceller tous les joints avec du ruban adhésif certifié, du type Silver, ou du ruban adhésif à conduits.

Calcul du conduit :

Conduit maximum de 6 po ou de 3-1/4 x 10 po	100 pi (30 m)
Déduire :	
Chaque coude de 90°	15 pi (4 m)
Chaque coude de 45°	9 pi (2,75 m)
Chaque transition de 6 po à 3 1/4 x 10 po	1 pi (0.3 m)
Transition utilisée	
Chaque 3 1/4 x 10 po à 6 po	5 pi (1,52 m)

Transition utilisée	
Évent latéral avec clapet	30 pi (9 m)
Évent de toit	30 pi (9 m)

Ex. : 1 évent de toit, 2 coudes de 90°, 1 coude de 45° = 30 pi + 30 pi + 9 pi = 69 pi utilisés
31 pi disponibles pour les conduits directs.

TAILLE DU CONDUIT

Utiliser un conduit rond d'un minimum de 6 po pour assurer un débit d'air maximum.

Des conduits flexibles sont fournis par commodité.

Toujours utiliser un conduit rigide en métal pour assurer un débit d'air maximum.

Utiliser le tableau de calcul (à gauche) pour établir la longueur totale de conduit disponible lorsque vous utilisez des coudes, des transitions et des événements.

TOUJOURS réduire le nombre de transitions et de virages. Si vous avez besoin d'un long conduit, augmentez la taille du conduit de 6 po (15 cm) à 7 po ou 8 po (17 ou 20 cm).

Si vous utilisez un réducteur, installez-en un de grande taille plutôt qu'un réducteur « crêpe ». Réduire la taille du conduit le plus loin possible de l'ouverture.

Si vous devez faire des virages ou des transitions : faites-le le plus loin possible de l'ouverture en gardant le plus d'espace qui soit entre les deux.

INSTALLATION DE LA HOTTE DE CUISINE

Remarque 1 : Pour les hottes en acier inoxydable, retirer soigneusement le film protecteur en plastique de toutes les surfaces externes de la hotte et de la cheminée avant l'installation finale.

Remarque 2 : Il faut deux personnes pour installer cette hotte.

PERÇAGE DU MUR ET FIXATION DES SUPPORTS

1. Tracer une ligne verticale sur le mur porteur jusqu'au plafond ou aussi haut que possible au centre de la surface sur laquelle la hotte sera installée.
2. Tracer une ligne horizontale à la hauteur désirée (au moins à 25 po (63 cm) au-dessus de la plaque électrique ou à 30 po (76 cm) au-dessus de la cuisinière au gaz).
3. Placer les supports de fixation de cheminée sur le mur à une distance de 1/8 po (0,31 cm) du plafond ou de la limite maximale en alignant le centre à la ligne verticale de référence.
4. Marquer le mur au niveau des centres des trous du support.
5. Placer la hotte sur le mur avec le centre sur la ligne verticale de référence. Vérifier que le dessous de la hotte est aligné à la ligne horizontale.
6. Marquer le mur au niveau des centres des trous de la hotte.
7. Fixer le support et la hotte à l'aide des vis de fixation.

INSTALLATION DU CADRE DE LA HOTTE

1. Suspendre le cadre de la hotte sur les vis fixées sur le mur.
2. Équilibrer le cadre de la hotte en ajustant légèrement les vis de fixation de la hotte.

FIXATION DU CLAPET (VOLETS)

1. Fixer le clapet (les volets) dans l'adaptateur de sortie d'air.
2. Le clapet doit s'ouvrir et se fermer facilement lorsqu'il est bien fixé à l'adaptateur de sortie d'air.

FIXATION DU CONDUIT

Mise en garde : Pour réduire les risques d'incendie, utilisez uniquement des conduits métalliques.

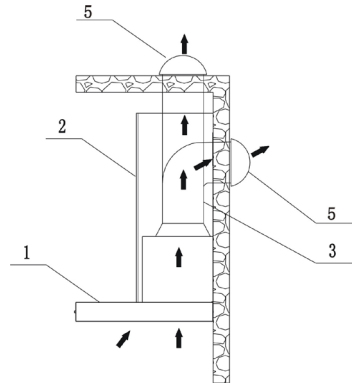
1. Connecter un conduit rond de 6 po (15 cm) d'une longueur adéquate dans la partie en creux de l'adaptateur de sortie d'air.
2. Fixer le conduit connecté à l'adaptateur de sortie d'air avec du ruban à conduits pour sceller les joints.

BRANCHEMENTS

Évacuation d'air par conduit d'aération

Mise en garde : Pour réduire les risques d'incendie, utilisez de préférence des conduits métalliques.

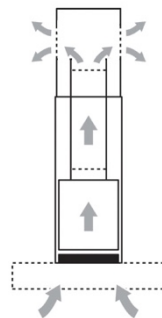
1. Déterminer l'emplacement du conduit d'aération qui se prolongera entre la hotte et l'extérieur.
2. Un conduit d'aération court et droit assurera un fonctionnement maximal de la hotte.
3. Un conduit d'aération long et l'utilisation de coudes et de transition réduisent le rendement de la hotte. Utilisez-en le moins possible. Un système de conduit plus important peut être requis pour assurer un meilleur rendement avec des conduits d'aération plus longs.
4. Connecter un conduit rond de 6 po (15 cm) d'une longueur adéquate dans la partie en creux de l'adaptateur de sortie d'air.
5. L'air ne doit pas être évacué par un conduit qui est utilisé pour évacuer les fumées des appareils utilisant le gaz ou d'autres combustibles. Les règlements concernant l'évacuation de l'air doivent être respectés.
6. Installer un couvercle sur le toit ou au mur. Relier un tuyau en métal rond au couvercle et le rendre jusqu'à l'emplacement de votre hotte. Sceller les joints entre les sections du système d'évacuation avec du ruban à conduits.



Mode de recyclage d'air (le consommateur doit acheter un filtre à charbon)

Mise en garde: Ne pas utiliser de conduit en plastique ni en métal rigide

1. Installer le filtre à charbon de chaque côté du moteur



2. L'air circulera à partir des deux grilles latérales situées sur le dessus de la cheminée décorative

Branchement électrique

* Les travaux relatifs au câblage doivent être effectués par une personne qualifiée, conformément aux normes et aux codes en vigueur.

Couper l'alimentation à l'entrée de service électrique avant d'effectuer le raccordement

* Si le cordon d'alimentation est endommagé, il doit être remplacé par le fabricant, par un représentant ou par toute autre personne qualifiée afin d'écartier tout risque de blessure.

* Ne pas utiliser de prises ni de rallonges autres que celles fournies avec la hotte.

* La mise à la terre est obligatoire. Ne pas retirer la branche de mise à la terre.

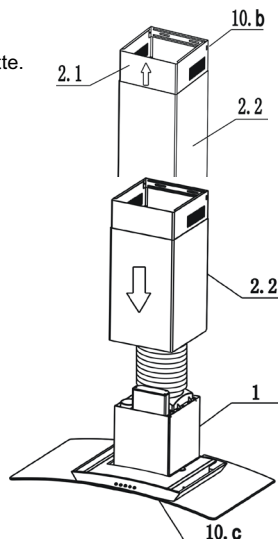
ASSEMBLAGE DE LA CHEMINÉE TÉLESCOPIQUE

Dessus de cheminée décorative

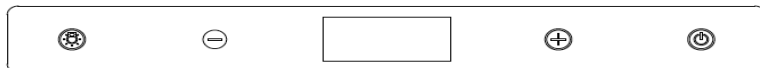
Tirer le dessus de la cheminée (2.1) situé à l'intérieur de la cheminée décorative (2.2) vers le haut. Fixer le dessus de la cheminée décorative (2.1) au support de fixation de la cheminée ancrée sur le mur des deux côtés à l'aide des vis de support fournies (10.b).

Dessous de la cheminée décorative

Glisser soigneusement le dessous de la cheminée décorative (2.2) sur le dessus de la cheminée décorative (2.1). Placer soigneusement le dessous de la cheminée décorative (2.2) dans la partie creuse du dessus du cadre de la hotte.



FONCTIONS



Bouton d'alimentation

Lorsque la hotte de cuisine est en marche, appuyez sur le bouton d'alimentation pour entrer dans la fonction. de mise hors tension, la hotte s'éteint automatiquement après 3 minutes



Réduire la vitesse



Augmenter la vitesse



Allumer/éteindre la lampe

ENTRETIEN ET NETTOYAGE

Entretien de la surface :

Nettoyer périodiquement la surface avec de l'eau chaude savonneuse et un chiffon en coton propre. Ne pas utiliser de détergent corrosif ou abrasif (p.ex. : poudre à récurer Comet, nettoyant pour le four EZ-Off), ni de laine d'acier ou de tampons à récurer qui risquent d'égratigner et d'endommager la surface.

Pour la saleté plus tenace, utiliser un produit dégraissant liquide comme Formula 409 ou le nettoyant de marque Fantastic.

Après le nettoyage, vous pouvez utiliser un agent polissant pour l'acier inoxydable, comme 3M ou ZEP, pour polir et redonner du lustre. Toujours frotter légèrement avec un chiffon en coton propre dans le sens du grain.

Filtres déflecteurs en acier inoxydable :

Les filtres installés en usine sont conçus pour filtrer les résidus et la graisse de cuisson. Il n'est pas nécessaire de les changer régulièrement, mais ils doivent être nettoyés.

Nettoyer les filtres après 30 heures d'utilisation.

Enlever et nettoyer les filtres à la main dans une bassine remplie d'eau chaude savonneuse. Le filtre va au lave-vaisselle.

Pour la saleté plus tenace, vaporiser un détergent dégraissant de type Formula 409 ou équivalent et laisser tremper.

Laisser les filtres sécher et les remettre en place avant d'utiliser la hotte.

Nettoyage de la hotte

Les résidus graisseux saturés dans les souffleurs et les filtres peuvent augmenter les risques d'inflammabilité. Nettoyez l'appareil de toute graisse et de toute accumulation de résidus pour éviter les incendies.

Les filtres doivent être nettoyés régulièrement et exempts de tout résidu culinaire (lire les Instructions de nettoyage dans le présent manuel). Remplacez immédiatement tous les filtres usagés et usés.

Ne pas faire fonctionner les souffleurs sans filtres. Ne démontez jamais de pièces pour les nettoyer sans avoir suivi les instructions au préalable. Le démontage devrait être effectué uniquement par des personnes qualifiées. Communiquer avec notre service à la clientèle pour des instructions au sujet du démontage.

L'acier inoxydable est l'un des matériaux les plus faciles à garder propre. Des soins occasionnels permettront de conserver sa belle apparence.

Conseils de nettoyage :

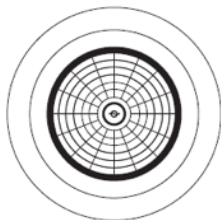
* De l'eau chaude savonneuse ou un détergent suffisent généralement.

* Rincer à l'eau claire. Essuyer avec un chiffon doux et propre pour éviter les traces d'eau.

- * Pour la décoloration et les dépôts résistants, utiliser une poudre à polir pour acier inoxydable ou un nettoyant ménager non abrasif avec un peu d'eau et un chiffon doux.
- * Pour les taches tenaces, utiliser un tampon à récurer en plastique ou une brosse à poils doux avec un nettoyant et de l'eau. Frottez légèrement en suivant le sens des lignes de polissage (ou le grain) de la finition inox. Éviter de trop appuyer pour ne pas marquer la surface.
- * Ne pas laisser les dépôts s'incruster.
- * Ne pas utiliser de brosses en acier ni de laine d'acier ordinaire. De petites particules d'acier peuvent adhérer à la surface et provoquer la rouille.
- * Ne pas laisser de solutions salines, de désinfectants, d'agents de blanchiment ni de produits pour nettoyer rester en contact avec l'acier inoxydable pendant de longues périodes. Bon nombre de ces produits contiennent des produits chimiques qui peuvent être dangereux. Rincer à l'eau après utilisation et essuyer avec un chiffon propre.
- * Nettoyer les surfaces peintes à l'eau tiède et seulement avec un détergent doux.

AMPOULES

AVERTISSEMENT : S'assurer que la lumière est éteinte depuis un certain temps et que la source d'alimentation a été débranchée avant de remplacer les ampoules. L'ampoule reste chaude un certain temps après avoir été éteinte.



Étape 1 : Pour ouvrir, tourner en sens inverse des aiguilles d'une montre.

Étape 2 : Enlever l'ampoule.

Étape 3 : Insérer une nouvelle ampoule (GU10) et tourner dans le sens des aiguilles d'une montre pour verrouiller.



AVERTISSEMENT: Ce produit peut vous exposer à des agents chimiques, y compris [Plomb, Composés de plomb et de plomb], identifiés par l'État de Californie comme pouvant causer le cancer et des malformations congénitales ou autres effets nocifs sur la reproduction. Pour de plus amples informations, prière de consulter www.P65Warnings.ca.gov.
